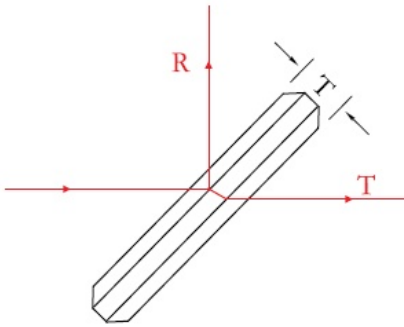


Beamsplitter

Applications

- WSS
- Tunable Laser
- Passive Components
- Optical Measurement System



PBS Plate or Cube

Attribute	
Material	N-BK7, or other optical glass
Typical Dimension	1.8 x 1.8 x 1.8mm, 3 x 3 x 3mm, 3.2 x 3.2 x 3.2mm
Flatness	up to $\lambda/10$ @632.8nm
Surface Quality (scratch/dig)	better than 40-20
Parallelism	<1 arc min.
Coating	T/R:50/50, 80/20, 70/30, 90/10, 60/40 @S, C or L band $T = (T_s + T_p)/2$, $R = (R_s + R_p)/2$

Other sizes, material and T/R ratio are also available upon request.

